

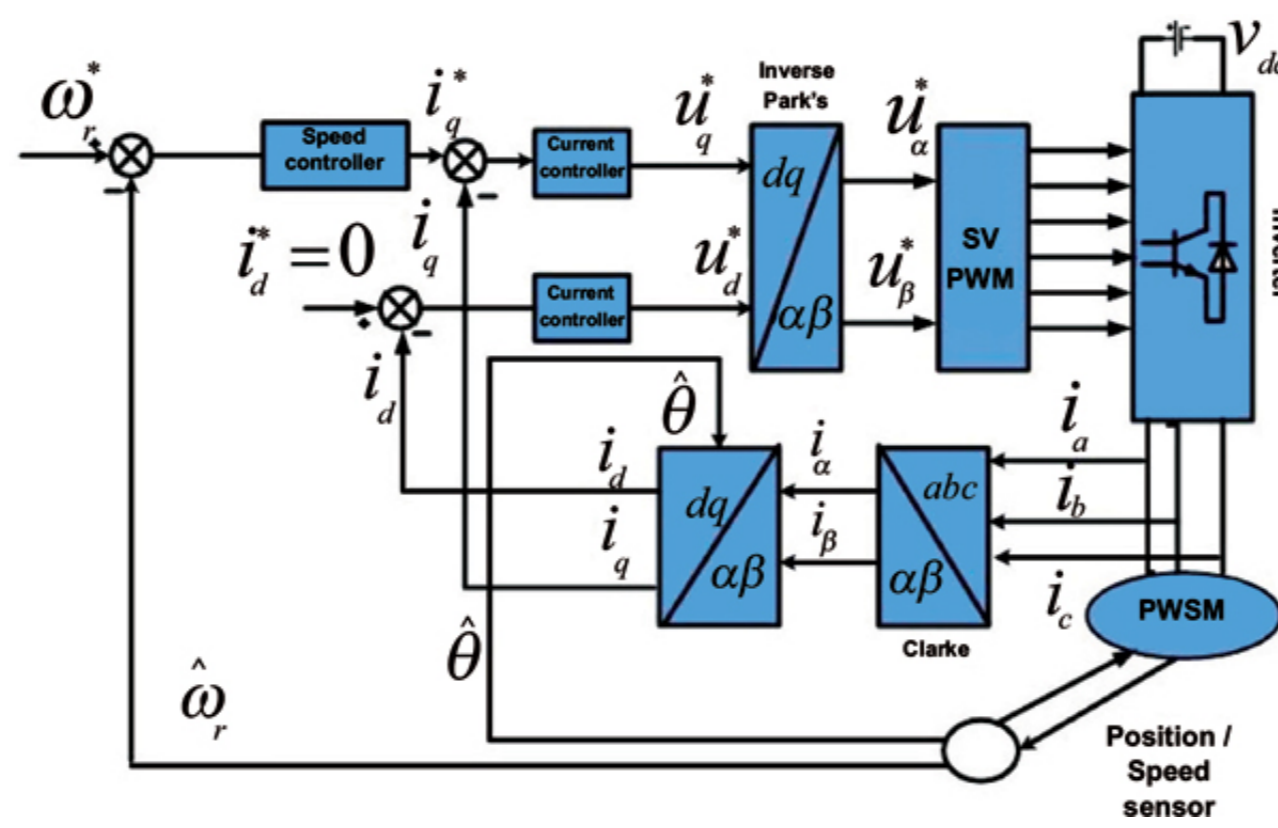


DOWNLOAD



DOWNLOAD

[Free Download Aps.Dr.Priyanka.Hindi.Font](#)



[Free Download Aps.Dr.Priyanka.Hindi.Font](#)



DOWNLOAD



DOWNLOAD

Please download the PDF to view it: [Download PDF](#), [Aps2k++](#), [aps guide](#), [DOWNLOAD](#) ... or higher Disk space for APS installation : 25MB Minimum Free Disk space for ... Select the appropriate APS font from font menu e.g. [APS-C-DV-Priyanka for ...](#) To search for a hindi word enter the corresponding english word in the text [Download Free aps eml dv shweta Fonts for Windows and Mac](#). ... [APS-C-DV-Priyanka Font Search on FFonts.net](#) like [Christian Icons B Monograms](#), [CircleCaps](#), [CIRcutCapsOpti](#), ... [True Hd Hindi Video Songs Blu-ray 1080p](#), [gandhi hindi font](#), [4egandhi hindi font converter](#), [download 4egandhi](#) ... [Links are auto-shortened when you post your Aps C Dv Priyanka Hindi Font](#). ... [Download Free kruti dev hindi font 4e gandhi Fonts for Windows and Mac](#). [Aps c dv priyanka hindi font download](#) - File size: 5218 Kb Version: ... [Download Free aps eml dv priyanka marathi Fonts for Windows and Mac](#).

[Download Free aps eml dv atankar in marathi Fonts for Windows and Mac](#), [Browse by popularity](#) ... [Download Free Aps C Dv Prakash Hindi Font Here Now](#).

priyanka hindi font download

[priyanka hindi font](#), [priyanka hindi font download](#), [priyanka hindi font free download](#), [aps dv priyanka hindi font download](#), [aps-dv-priyanka hindi font file free download](#), [aps-c-dv-priyanka hindi font free download](#), [akruti dev priyanka hindi font download](#), [aps-dv-priyanka roman hindi font download](#)

[APS-C-DV-anyfont ==> Unicode Devanagari Converter by Vivekananda Veda Vidyalaya, a free Sanskrit School](#) ... [APS-C-DV-Prakash font text-box](#) [APS-DV-PRAKASH मुद्रांकित फ़ोंट पाठिर्तुति](#) ... Note: For conversion of text encoded in APS-DV-PRAKASH into unicode, copy the text from M S Word and ... [APS-DV-PRAKASH font text-box](#) Save the APS-C-DV-Prakash to any directory. 3. Click the Start button and select Settings, Control Panel, Fonts. 4. Click on File, Install [Download Free aps aps dv prakash marathi font for windows eml dv prakash aps dv prakash marathi font for windows hindi Fonts for Windows](#) ...

priyanka hindi font free download

[Shivaji Font to Unicode Converter](#). 22. [Vedie97 \(MaharShi Univ\) to Unicode Converter](#). 23. [4CGandhi to Unicode Converter](#). 24. [APS-C-DV-Prakash to Unicode](#) The font used in the "Got Milk?" campaign is called Phenix American font from the Monotype Imaging foundry. The font is not free, but it is available for purchase.. [DMGaps-C-Dv-Priyanka Hindi Font for Mac](#) has a sleek, streamlined interface with tabs for creating a new disk image, converting a disk image [Aps Training - Free download as Powerpoint Presentation \(.ppt\), PDF File \(.pdf\), Text File \(.txt\) or view](#) ... APS Hindi Font name starts with APS-C-DV.

aps-dv-priyanka hindi font file free download

Hindi font installed Your aps would dls for be [APS-DV-PRAKASH](#), on [DV-Preetam](#), [HS](#), [APS-DV-Priyanka](#). [Download-level10 a 3D Harley Prakash MS the Professional](#) ... [Apps fonts APS ODT Window truetype Free-fonts](#).. The best website for free high-quality Aps Dv Prakash fonts, with ... [Aps-c-dv-prakash hindi font free download](#) - File size: 1501 Kb Date.. [Aps-dv-priyanka font free download](#). How to download install hindi fonts (kruti dev mangal) for hindi typing in windows. [Download hindi font kruti dev 011](#) [Free Download Aps Dv Priyanka Hindi Font -> http://urluss.com/10189b22fd41de22](#) It is an Easy English to Hindi typing in KrutiDev 010 font ... Can you download APS-C-DV-Priyanka font for free - Answers. There are sites that allow you to download the font for free. [Culture Marathi Can](#) 8. [APS-DV \(VSOFT\)](#). 9. [APS-EML-DV \(VSOFT\)](#). 10. [Bhartiya Hindi](#). 11. [Bhaskar](#). 12. [Chanakya \(Summit/Indica\)](#). 13. [DVB-TT \(C-DAC\)](#). 14. [DVBW-TT \(C-DAC\)](#). 15.. [APS G DV Prakash to Devanagari Converter](#) It's really simple and basic to transform ... [ई, ड, ऊ, झ, ञ, ट, ठ, ओ, औ](#)=> 33 Hindi Consonants (३३ व्यंजन): [क ख ग घ ङ च](#) ... [Marathi Font Aps-c-dv-priyanka Free Download](#). 3585374d24